



Model 012033

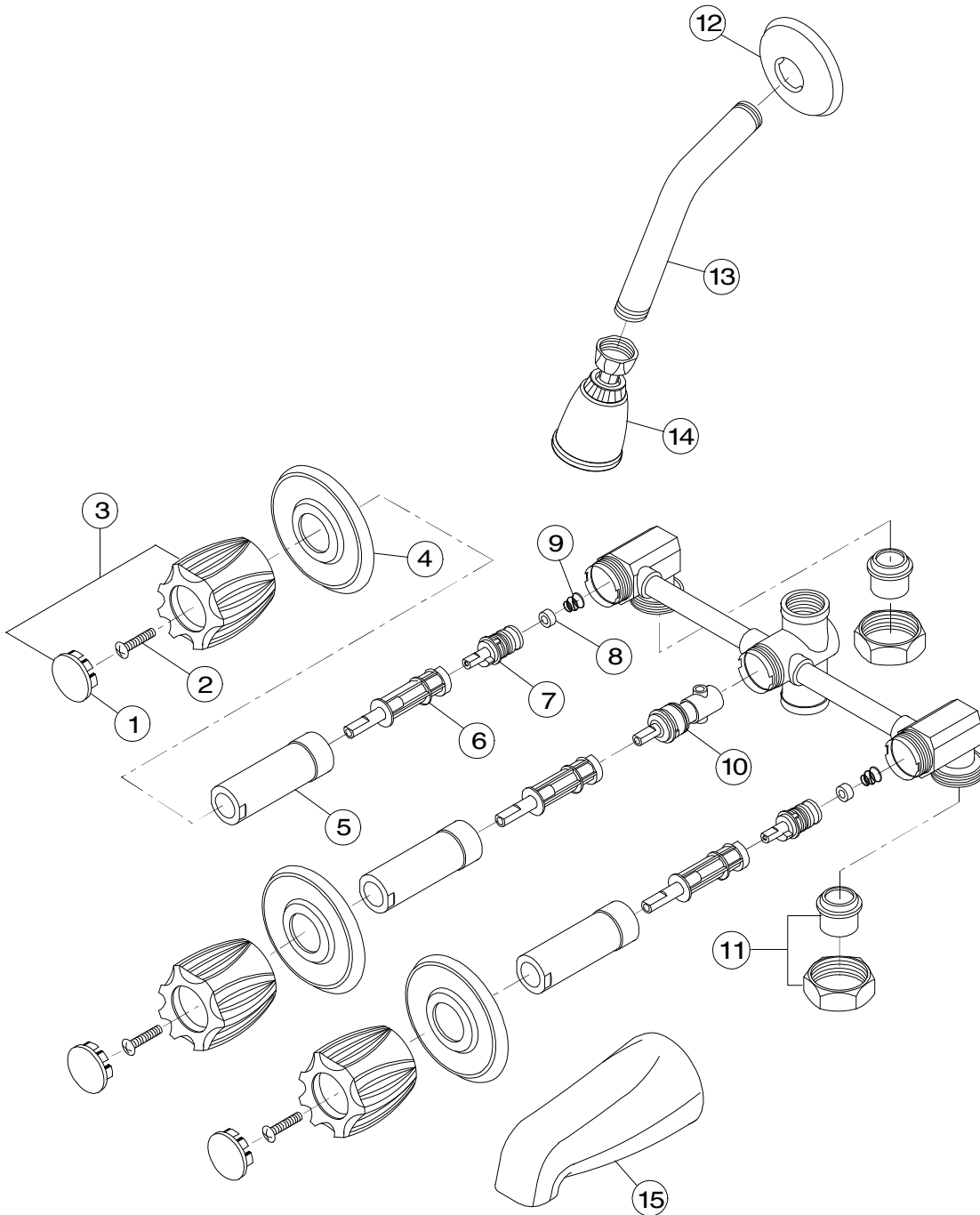
Three Acrylic Handle Tub & Shower Set
Chrome Plated Finish
1/2" IPS Connection

CONCORD™



Model 012033

Refer to Premier Faucet Parts List Sheet for part numbers and ordering information.



For additional information contact Premier Faucet at 866-745-4010 or visit our website at www.premierfaucet.com



Model 012033

Three Acrylic Handle Tub & Shower Set
Chrome Plated Finish
1/2" IPS Connection

CONCORD™



Model 012033

Refer to Premier Faucet Parts Schematic Sheet for parts diagram.

INDEX	DESCRIPTION	MATERIAL	QTY	PART NO
1	INDEX BUTTON	ACRYLIC	3	114093
2	HANDLE SCREW	BRASS	3	994187
3	HANDLE ASSEMBLY	ACRYLIC	3	012044
4	ESCUTCHEON	BRASS	3	994407
5	ESCUTCHEON TUBE	BRASS	3	994436
6	HANDLE EXTENDER	POM	3	133086
7	CARTRIDGE - HOT & COLD	PLASTIC	2	163420
8	SEAT WASHER	RUBBER	2	133398
9	SPRING	STAINLESS STEEL	2	133400
10	DIVERTER	PLASTIC	1	163130
11	UNION ASSEMBLY	BRASS	2	994625
12	ESCUTCHEON	STAINLESS STEEL	1	ESC1
13	SHOWER ARM	BRASS	1	79101
14	SHOWER HEAD	ABS	1	7915
15	TUB SPOUT	ZINC	1	609524