



Model 04347

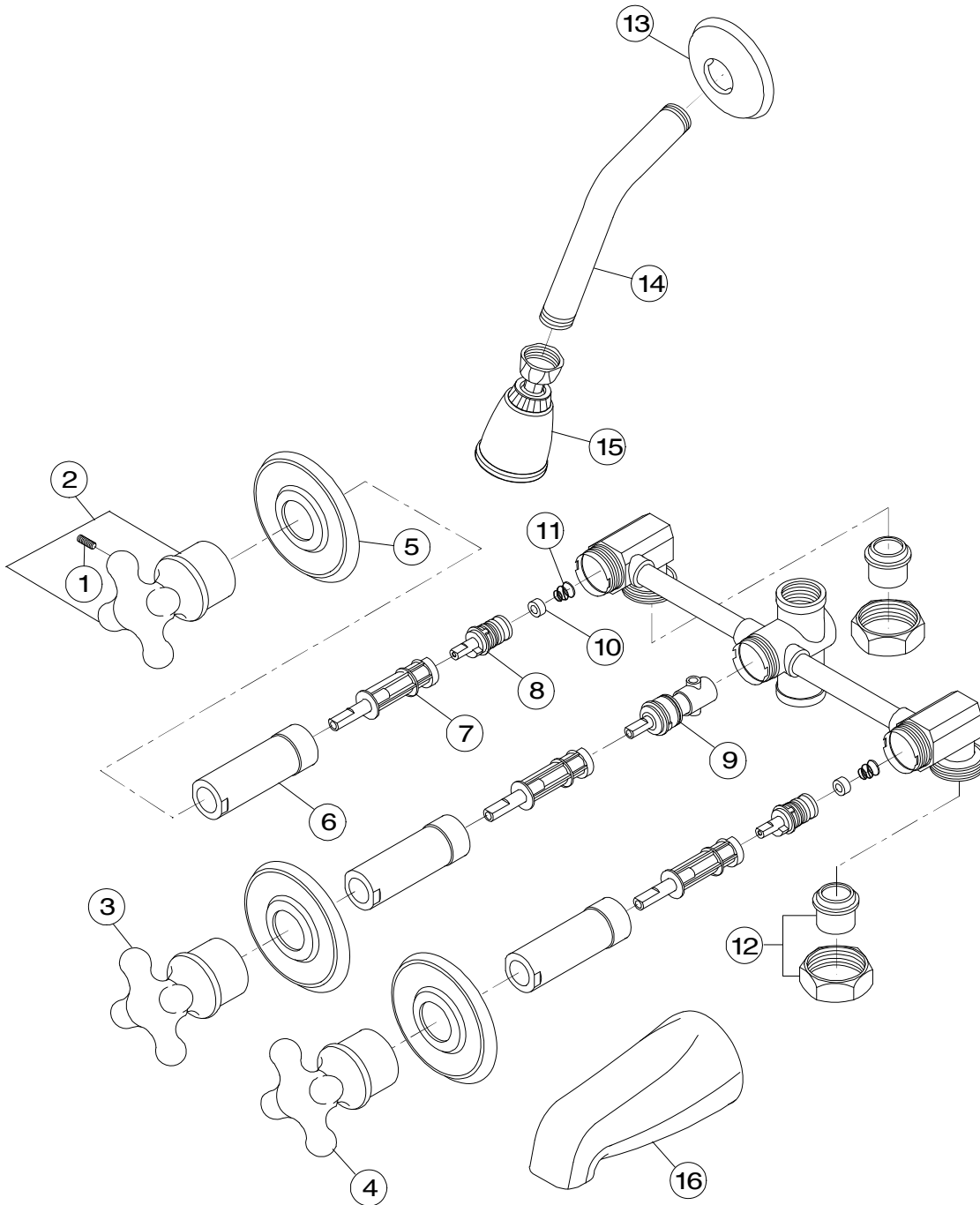
Three Cross Handle Tub & Shower Set
Chrome Plated Finish
1/2" IPS Connection

Ashbury™



Model 04347

Refer to Premier Faucet Parts List Sheet for part numbers and ordering information.



For additional information contact Premier Faucet at 866-745-4010 or visit our website at www.premierfaucet.com



Model 04347

Three Cross Handle Tub & Shower Set
Chrome Plated Finish
1/2" IPS Connection

Ashbury™



Model 04347

Refer to Premier Faucet Parts Schematic Sheet for parts diagram.

INDEX	DESCRIPTION	MATERIAL	QTY	PART NO
1	HANDLE SCREW	BRASS	3	994190
2	HOT HANDLE ASSEMBLY	METAL/ PORCELAIN	3	994185
3	DIVERTER HANDLE ASSEMBLY	METAL/ PORCELAIN	3	994629
4	COLD HANDLE ASSEMBLY	METAL/ PORCELAIN	3	994184
5	ESCUTCHEON	BRASS	3	994407
6	ESCUTCHEON TUBE	BRASS	3	994436
7	HANDLE EXTENDER	POM	3	133086
8	CARTRIDGE - HOT & COLD	PLASTIC	2	163407
9	DIVERTER	PLASTIC	1	163130
10	SEAT WASHER	RUBBER	2	133398
11	SPRING	STAINLESS STEEL	2	133400
12	UNION ASSEMBLY	BRASS	2	994625
13	ESCUTCHEON	STAINLESS STEEL	1	ESC1
14	SHOWER ARM	BRASS	1	79101
15	SHOWER HEAD	ABS	1	7915
16	TUB SPOUT	ZINC	1	609524