



Model 118020

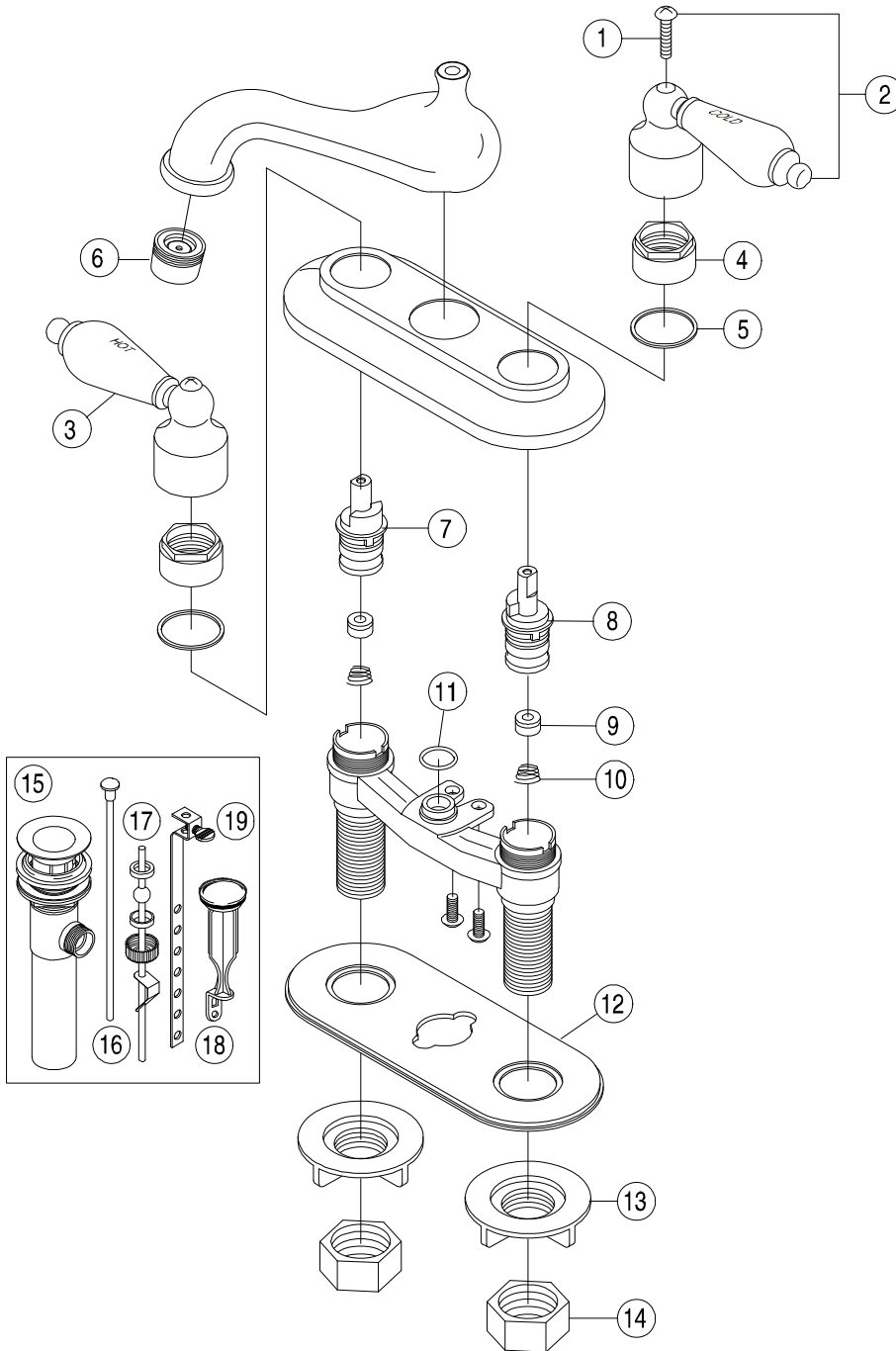
Twin Lever Handle Teapot Lavatory Faucet
Chrome Plated Finish
With Brass Pop-Up
1/2" IPS Connection

Ashbury™



Model 118020

Refer to Premier Faucet Parts List Sheet for part numbers and ordering information.



For additional information contact Premier Faucet at 866-745-4010 or visit our website at www.premierfaucet.com



Model 118020

Twin Lever Handle Teapot Lavatory Faucet
Chrome Plated Finish
With Brass Pop-Up
1/2" IPS Connection

Ashbury™



Model 118020

Refer to Premier Faucet Parts Schematic Sheet for parts diagram.

INDEX	DESCRIPTION	MATERIAL	QTY	PART NO
1	HANDLE SCREW	STEEL	2	994188
2	HANDLE ASSEMBLY - COLD	METAL/PORCELAIN	1	994122
3	HANDLE ASSEMBLY - HOT	METAL/PORCELAIN	1	994182
4	BONNET NUT	ZINC	2	994316
5	CAP GASKET	POM	2	994515
6	AERATOR	BRASS	1	144205
7	CARTRIDGE - HOT	PLASTIC	1	163407
8	CARTRIDGE - COLD	PLASTIC	1	163406
9	SEAT WASHER	RUBBER	2	133398
10	SPRING	STAINLESS STEEL	2	133400
11	O-RING	RUBBER	1	994534
12	DECK GASKET	PLASTIC	1	994365
13	LOCK NUT	PLASTIC	2	133836
14	COUPLING NUT	BRASS	2	133838
15	POP-UP ASSEMBLY	BRASS	1	124100
16	LIFT ROD	METAL	1	994599
17	BALL ROD ASSY	METAL/PLASTIC	1	133833
18	STOPPER	PLASTIC	1	015084
19	LIFT STRAP	METAL	1	133833