



# Model 120025

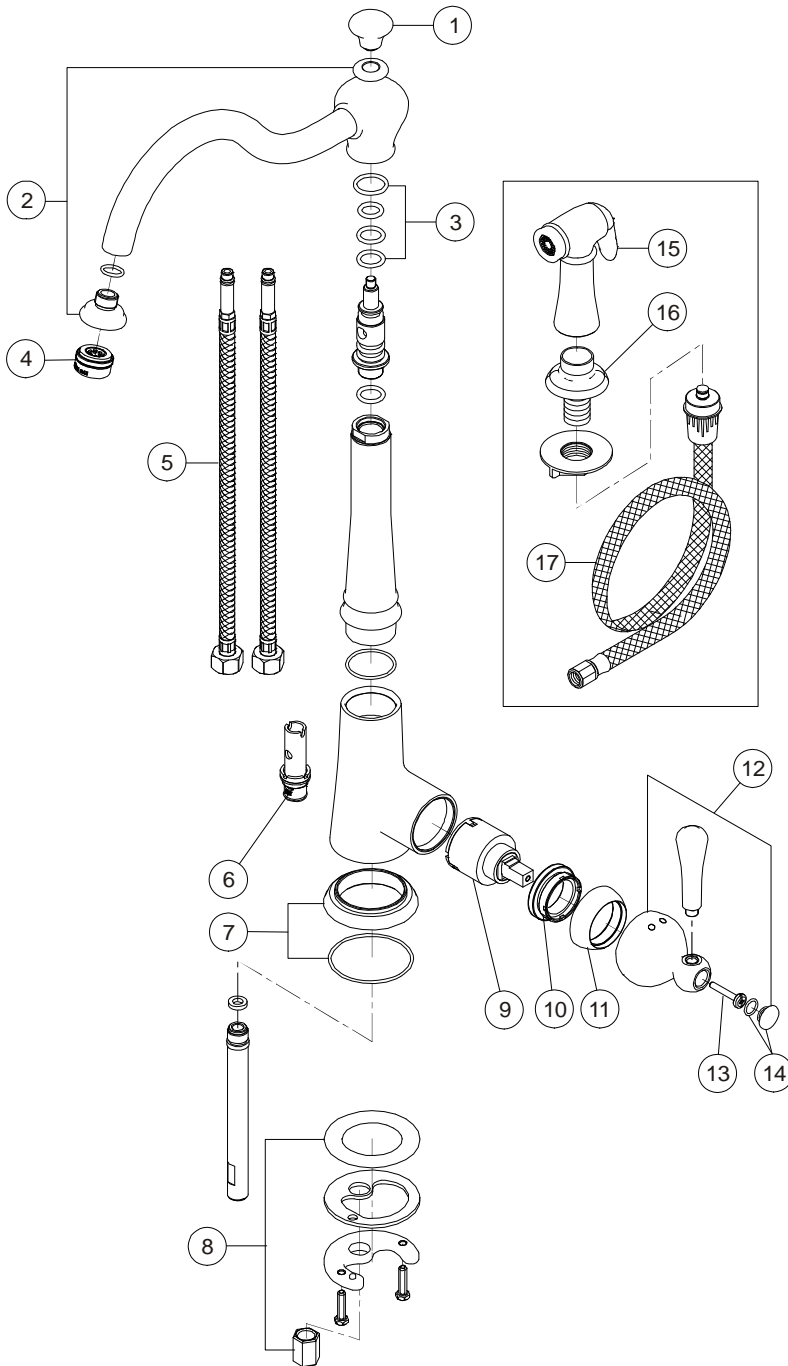
Single Lever Handle Kitchen Faucet  
Single Hole Mount With Spray  
Brushed Nickel Finish  
1/2" IPS Connection

# SONOMA™



Model 120025

**Refer to Premier Faucet Parts List Sheet for part numbers and ordering information.**



For additional information contact Premier Faucet at 866-745-4010 or visit our website at [www.premierfaucet.com](http://www.premierfaucet.com)





### Model 120025

Single Lever Handle Kitchen Faucet  
Single Hole Mount With Spray  
Brushed Nickel Finish  
1/2" IPS Connection

# SONOMA™



*Refer to Premier Faucet Parts Schematic Sheet for parts diagram.*

INDEX	DESCRIPTION	MATERIAL	QTY	PART NO
1	CAP	BRASS	1	994353
2	SPOUT ASSEMBLY	BRASS	1	994486
3	SPOUT GASKET KIT	RUBBER	1	994548
4	AERATOR	BRASS	1	123457
5	CONNECTION HOSE	STAINLESS STEEL	2	994649
6	SPRAY DIVERTER	PLASTIC	1	994644
7	BASE ASSEMBLY	BRASS	1	994384
8	INSTALLATION KIT	BRASS	1	994265
9	CARTRIDGE	CERAMIC	1	994105
10	BONNET NUT	BRASS	1	994319
11	CAP	BRASS	1	994350
12	HANDLE ASSEMBLY	BRASS	1	994137
13	HANDLE SCREW	STEEL	1	994194
14	SCREW COVER ASSY	BRASS	1	994236
15	SPRAYER	BRASS	1	994298
16	SPRAY CRADLE	PLASTIC	1	994289
17	SPRAY HOSE	PVC	1	153185

