



### Model 120139

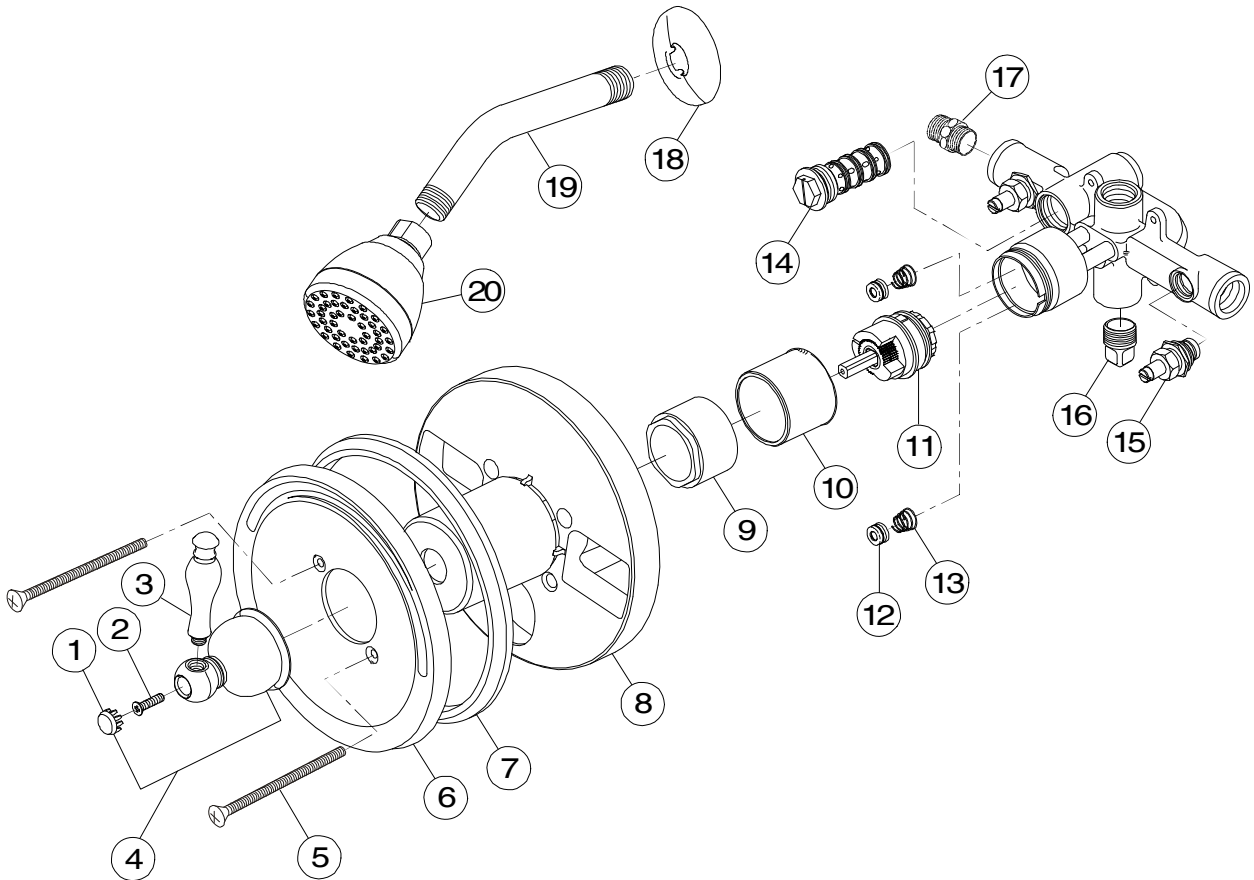
Single Lever Handle Shower Only Set  
Pressure Balancing  
Chrome Plated Finish  
1/2" IPS Connection

# Wellington™



**Refer to Premier Faucet Parts List Sheet for part numbers and ordering information.**

Model 120139





### Model 120139

Single Lever Handle Shower Only Set  
Pressure Balancing  
Chrome Plated Finish  
1/2" IPS Connection

# Wellington™



*Refer to Premier Faucet Parts Schematic Sheet for parts diagram.*

INDEX	DESCRIPTION	MATERIAL	QTY	PART NO
1	SCREW COVER	BRASS	1	994234
2	HANDLE SCREW	BRASS	1	994147
3	PORCELAIN INSERT	PORCELAIN	1	994226
4	METAL HANDLE ASSY	BRASS	1	994218
5	PLATE SCREW	BRASS	2	994442
6	ESCUTCHEON	BRASS	1	994410
7	GASKET	RUBBER	1	994522
8	ROUGH-IN PLATE	PLASTIC	1	994580
9	BARREL SLEEVE	BRASS	1	994369
10	BARREL SLEEVE	BRASS	1	994372
11	CARTRIDGE	PLASTIC	1	994111
12	SEAT WASHER	RUBBER	1	133398
13	SPRING	BRASS	1	133400
14	BALANCER ASSEMBLY	STAINLESS STEEL	1	133139
15	INTEGRAL STOP	BRASS	2	994554
16	IPS PLUG	BRASS	1	109-8
17	SWEAT ADAPTER	BRASS	4	994587
18	ESCUTCHEON	STAINLESS STEEL	1	ESC1
19	SHOWER ARM	BRASS	1	79101
20	SHOWER HEAD	PLASTIC	1	192028

