



Model 120141

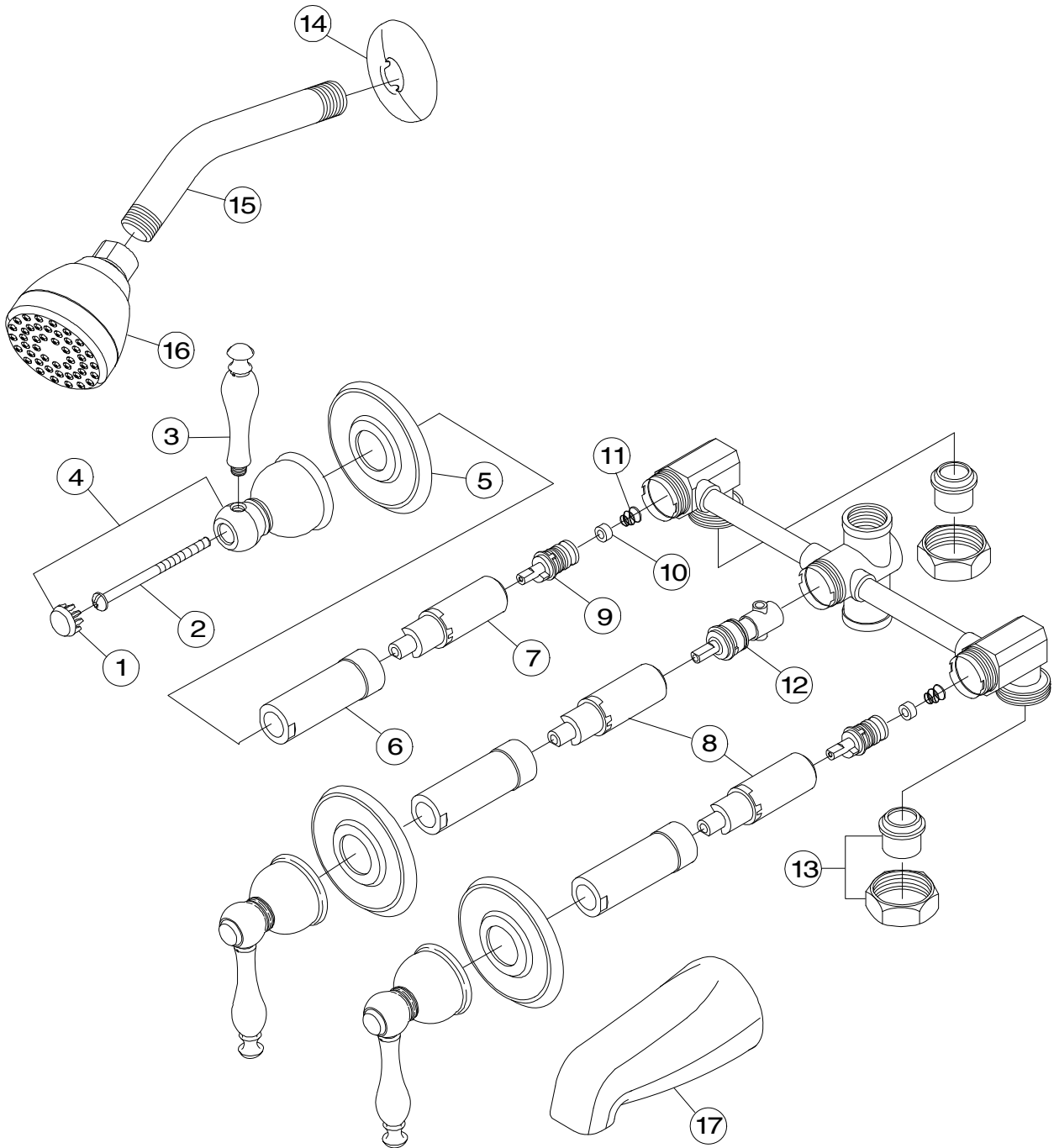
Three Lever Handle Tub & Shower Set
Chrome Plated Finish
1/2" IPS Connection

Wellington™



Refer to Premier Faucet Parts List Sheet for part numbers and ordering information.

Model 120141



For additional information contact Premier Faucet at 866-745-4010 or visit our website at www.premierfaucet.com





Model 120141

Three Lever Handle Tub & Shower Set
Chrome Plated Finish
1/2" IPS Connection

Wellington™



Model 120141

Refer to Premier Faucet Parts Schematic Sheet for parts diagram.

INDEX	DESCRIPTION	MATERIAL	QTY	PART NO
1	SCREW COVER H, C & D SET	BRASS	1	994254
2	HANDLE SCREW	BRASS	3	994198
3	PORCELAIN INSERT	PROCELAIN	3	994226
4	METAL HANDLE ASSY	BRASS	3	994215
5	ESCUTCHEON	BRASS	3	994418
6	ESCUTCHEON TUBE	BRASS	2	994436
7	HANDLE EXTENDER- COLD	PLASTIC	1	994570
8	HANDLE EXTENDER- HOT/ DIV	PLASTIC	2	994571
9	CARTRIDGE - HOT & COLD	PLASTIC	2	163460
10	SEAT WASHER	RUBBER	2	994645
11	SPRING	STAINLESS STEEL	2	133400
12	DIVERTER	PLASTIC	1	163295
13	UNION ASSEMBLY	BRASS	2	994625
14	ESCUTCHEON	STAINLESS STEEL	1	ESC1
15	SHOWER ARM	BRASS	1	79101
16	SHOWER HEAD	ABS	1	192028
17	TUB SPOUT	ZINC	1	609524

