



Model 120601

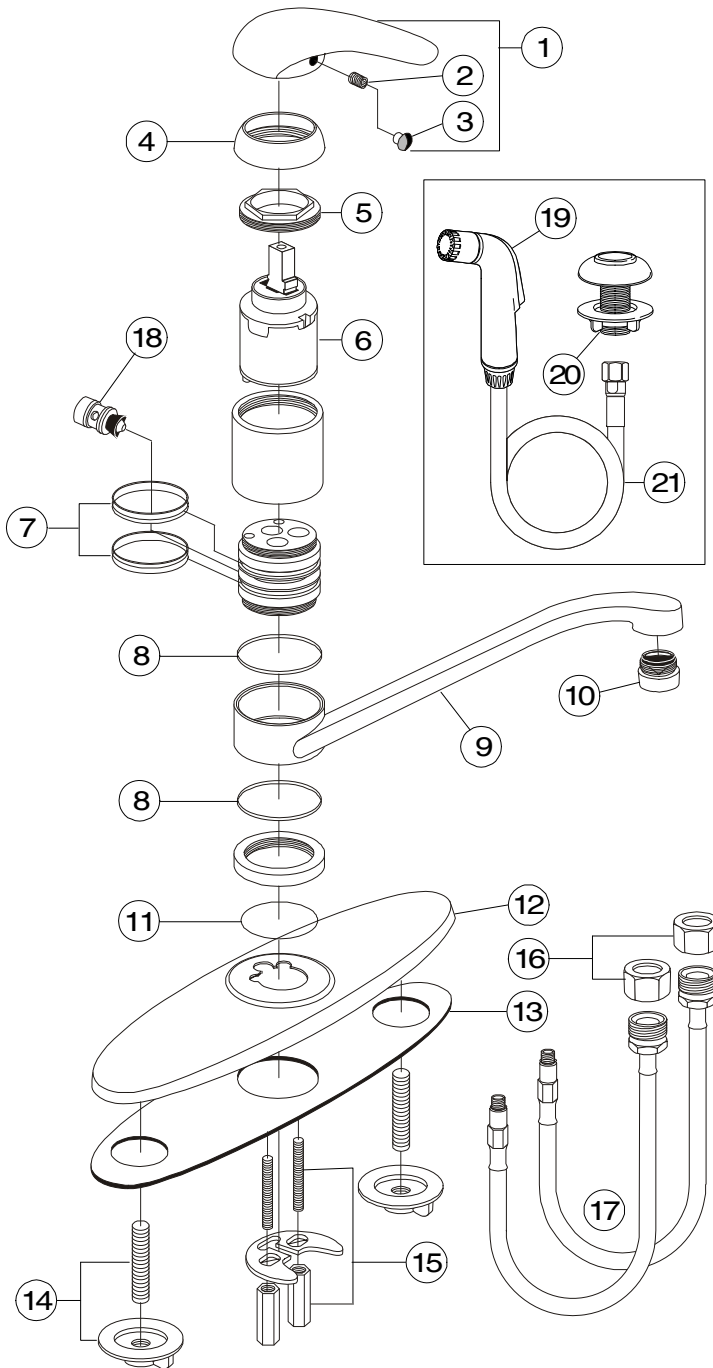
Single Lever Handle Kitchen Faucet
Chrome Plated Finish
With Spray
1/2" IPS Connection

Westport™



Model 120601

Refer to Premier Faucet Parts List Sheet for part numbers and ordering information.



For additional information contact Premier Faucet at 866-745-4010 or visit our website at www.premierfaucet.com



Model 120601

Single Lever Handle Kitchen Faucet
Chrome Plated Finish
With Spray
1/2" IPS Connection

Westport™



Model 120601

Refer to Premier Faucet Parts Schematic Sheet for parts diagram.

INDEX	DESCRIPTION	MATERIAL	QTY	PART NO
1	HANDLE ASSEMBLY	METAL	1	994169
2	HANDLE SCREW	STAINLESS STEEL	1	994197
3	INDEX PLUG	POM	1	994202
4	CAP	PLASTIC	1	994341
5	BONNET NUT	BRASS	1	994324
6	CARTRIDGE	CERAMIC	1	133504
7	GASKET	RUBBER	2	994531
8	FRICTION RING	POM	2	994519
9	SPOUT	BRASS	1	994481
10	AERATOR	BRASS	1	144205
11	O-RING	RUBBER	1	994542
12	PLATE	ZINC	1	994438
13	DECK GASKET	PLASTIC	1	994364
14	POST & NUT	STEEL/PLASTIC	2	994276
15	INSTALLATION KIT	BRASS	1	994277
16	COUPLING NUT	BRASS	2	133838
17	HOSE	STAINLESS STEEL	2	994566
18	DIVERter	PLASTIC	1	133100
19	SPRAYER	PLASTIC	1	153180
20	SPRAY CRADLE	PLASTIC	1	994292
21	SPRAY HOSE	PVC	1	153185