



SONOMA™

Description

- Vitreous china two-piece toilet
- Round bowl
- Flush system: siphon jet
- 1.6 gallons per flush
- Fully glazed 2" trapway
- 12" rough-in
- Outside dimension: 27" x 18-1/4" x 29-1/8"
- Toilet seat sold separately (order Premier model 201074)

Compliance

- Designed to comply with requirements of ASME A112.19.2
- 1.6 gallons per flush

Listings

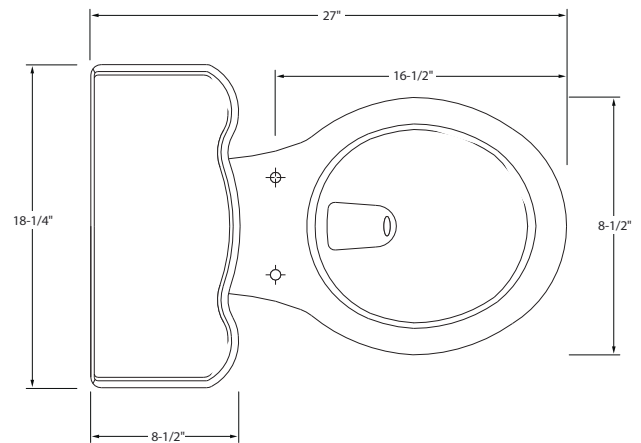
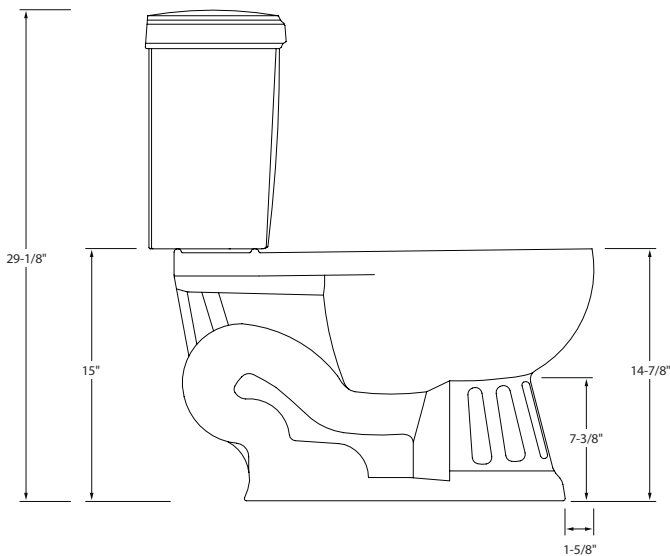
- cUPC (Uniform Plumbing Code & Canadian Uniform Plumbing Code)

Warranty

- Three-year limited warranty



Model 582606 – Tank
Model 582605 – Round Bowl



For additional information contact Premier Faucet at 866-745-4010 or visit our website at www.premierfaucet.com